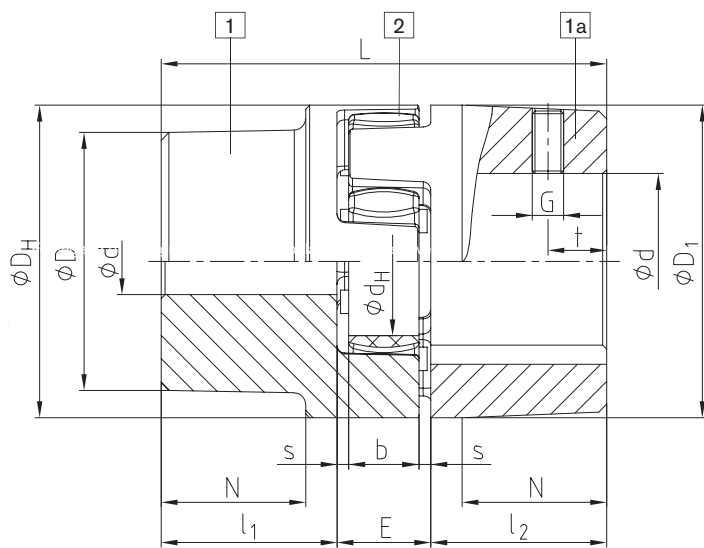
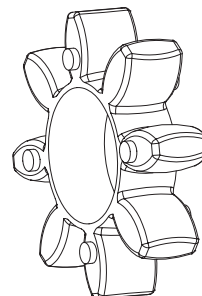


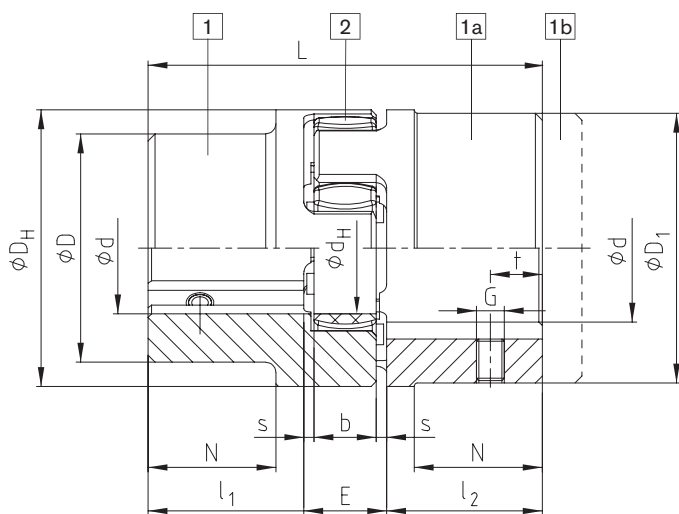
Components



AL-D (thread opposite to the keyway)



Spider
Hardness 92Sh-A, 98Sh-A,
64Sh-D
Standard from size
14 - 180



GJL / GJS (thread on the keyway)

